

Driver LC 25W 250/300/350mA fixC Ip SNC2

essence series non-SELV

**Product description**

- _ Fixed output built-in LED Driver
- _ Constant current LED Driver
- _ For luminaires of protection class I and protection class II
- _ Temperature protection as per EN 61347-2-13 C5e
- _ Output current 250, 300 or 350 mA
- _ Max. output power 25 W
- _ Up to 88 % efficiency
- _ Nominal life-time up to 50,000 h
- _ 5-year guarantee

Housing properties

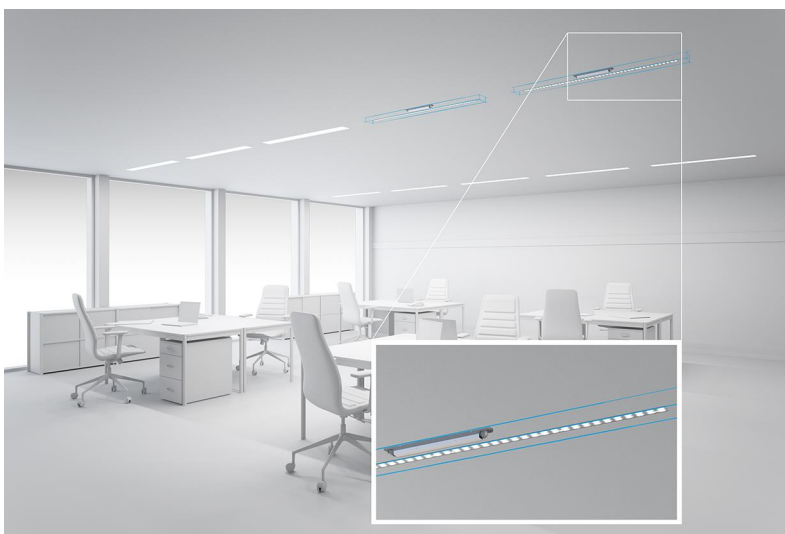
- _ Casing: metal, white
- _ Type of protection IP20

Functions

- _ Overload protection
- _ Short-circuit protection
- _ No-load protection
- _ Burst protection voltage 0.5 kV
- _ Surge protection voltage 1 kV (L to N)
- _ Surge protection voltage 2 kV (L/N to earth)

Website

<http://www.tridonic.com/87500836>



Spotlights



Downlights



Linear



Area



Floor | Wall



Free-standing



Street



Decorative

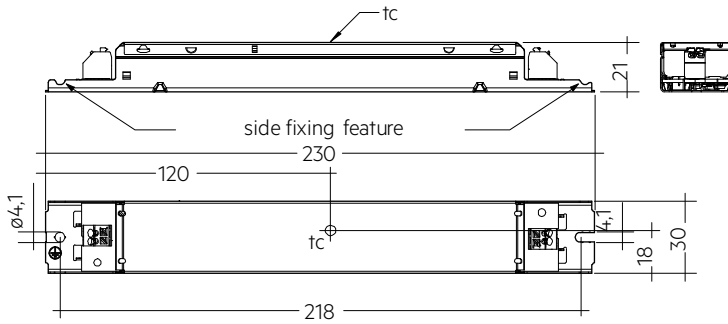


High bay

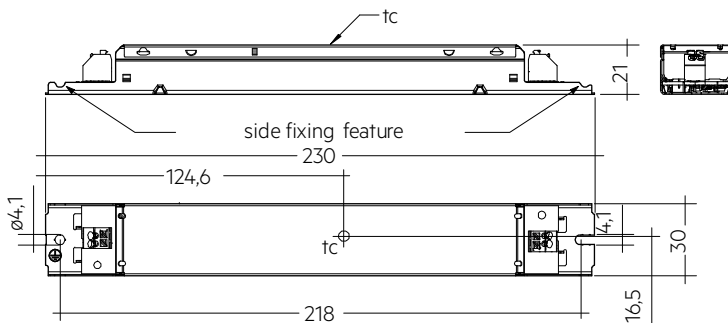
Driver LC 25W 250/300/350mA fixC Ip SNC2

essence series non-SELV

The complete data sheet for this product is available in the Downloads section.



LC 25/250/104 fixC Ip SNC2, LC 25/300/85 fixC Ip SNC2



LC 25/350/72 fixC Ip SNC2

Ordering data

Type	Article number [®]	Packaging, carton	Packaging, low volume	Packaging, high volume	Weight per pc.
LC 25/300/85 fixC Ip SNC2	87500836	50 pc(s).	1,050 pc(s).	3,150 pc(s).	0.120 kg

Technical data

Rated supply voltage	220 – 240 V
AC voltage range	198 – 264 V
Mains frequency	50 / 60 Hz
Leakage current (at 230 V, 50 Hz, full load)	< 450 μ A
THD (at 230 V, 50 Hz, full load)	< 20 %
Output current tolerance ^①	\pm 7,5 %
Typ. current ripple (at 230 V, 50 Hz, full load)	\pm 5 %
Starting time (at 230 V, 50 Hz, full load)	\leq 0,5 s
Turn off time (at 230 V, 50 Hz, full load)	\leq 0,5 s
Hold on time at power failure (output)	0 s
Ambient temperature t_a	-20 ... +50 °C
Ambient temperature t_a (at life-time 50,000 h)	50 °C
Storage temperature t_s	-40 ... +80 °C
Mains burst capability	0,5 kV
Mains surge capability (between L - N)	1 kV
Mains surge capability (between L/N - PE)	2 kV
Surge voltage at output side (against PE)	4 kV
Life-time	up to 50,000 h
Dimensions L x W x H	230 x 30 x 21 mm
Hole spacing D	218 mm

Approval marks**Standards**

EN 55015, EN 61000-3-2, EN 61000-3-3, EN 61347-2-13, EN 61547, EN 62384

Specific technical data

Type	Output current ^①	Input current (at 230 V, 50 Hz, full load)	Max. input power	Typ. power consumption (at 230 V, 50 Hz, full load)	Output power range	λ at full load ^②	Efficiency at full load ^③	λ at min. load ^④	Efficiency at min. load ^④	Min. forward voltage	Max. forward voltage	Max. output voltage (U-OUT)	Max. peak output current ^④	Max. casing temperature t_c
LC 25/300/85 fixC Ip SNC2	300 mA	130 mA	29 W	28,5 W	12,8 – 25,5 W	0,95	88 %	0,85C	84 %	42,5 V	85 V	320 V	353 mA	65 °C

^① Output current is mean value.

^② BIS approval mark for art. no.: 87500835.

^③ Test result at 230 V, 50 Hz.

^④ The trend between min. and full load is linear.